



Wireless RF mini controller

Model number: XS-56-02 XS-56-03 XS-56-04 XS-56-05

(C C T / RGB / RGBW / RGB +CCT)

01 CCT



03 RGBW



02 RGB



04 RGB+CCT



1、Product Manual

Wireless RF mini controller is a delicate and small LED controller, using this controller does not need any welding, directly to the power and light strip can be used, very convenient and fast. There are five types of products optional, available for controlling monochrome, color temperature, RGB, RGBW, RGB + CCT; according to customers



Different needs to choose gradient, jump, gradual fading, flashing, flashing and other dynamic lighting effects, as well as a variety of static colors to choose from. Can be widely used in the TV background wall, bedside table, bar desk and other use places.

main features:

1. Compact body, direct insertion, convenient wiring;
2. Adopt high-quality chip, and the dimming and color change effect is soft;
3. Color, mode optional functions (up to 33 dynamic modes);
4. independently developed and designed remote control surface paste and controller shell, private mold products.

2. performance parameter

- Productname: wirelessRFminicontroller
- Productmodel: RF-M1~M5
- Operatingtemperature: $-20\sim 60^{\circ}\text{C}$
- Powersupplyvoltage: DC5-24V
- Connectionmode: Gongyang
- Sizeofthecontroller: L55.7*W16.6*H10.7mm
- Netweight: 21key: 30g, 28key: 40g
- Grossweight: 21key: 32g, 28key: 45g
- Staticpowerconsumption: $<0.5\text{W}$
- Outputcurrent: $<2\text{A}/\text{CH}$ maximum: 6A (boldwire, highqualityPCB, chip, MOSpipe, fullload wiring)
- Outputpower: maximum: 5V: $<30\text{W}$, 12V: $<72\text{W}$, 24V: $<144\text{W}$

3. External size:



IV. Interface description

(1) Power supply input interface:

Using 5.5 * 2.1mm DC master head interface input (using custom bold wire, can withstand 6A, ordinary joint can only withstand 3A)



(2) Load output interface:

Use: plug head output (thickened all copper wire core can be connected with full load)

Monochrome: DC header (5.5 * 2.1mm)

RGB / CCT : 4pin parent head

RGBW : The 5-pin parent head

RGB+CCT 6pin parent head

:

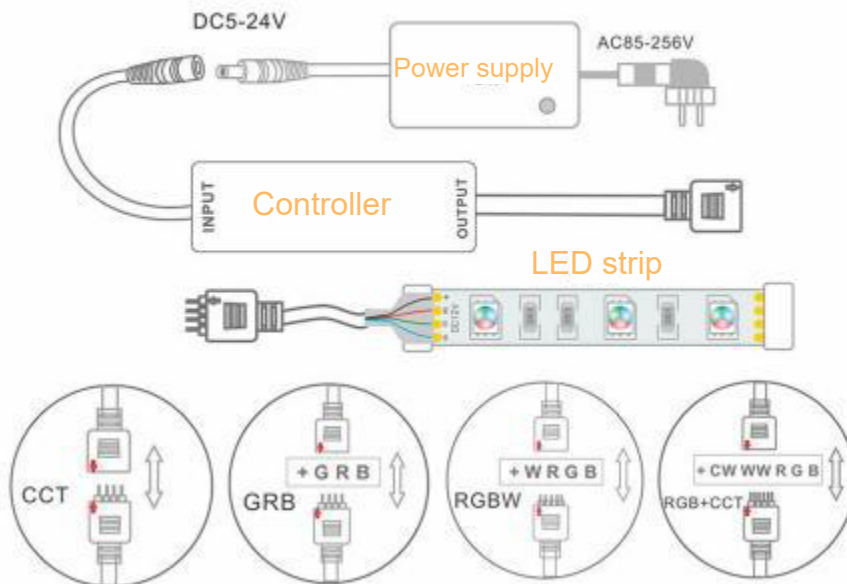


5. Wiring

Wiring diagram of 4 products

1. CCT / RGB / RGBW / RGB + CCT series:

CCT/ RGB/ RGBW/ RGB+CCT Controller

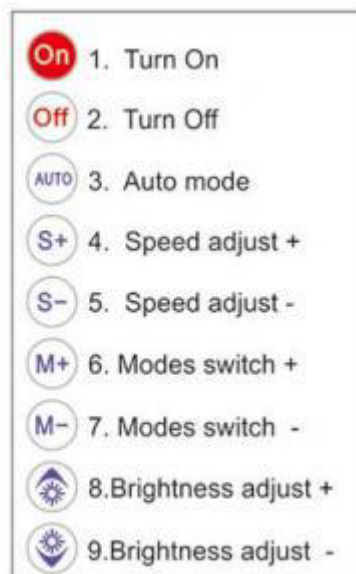




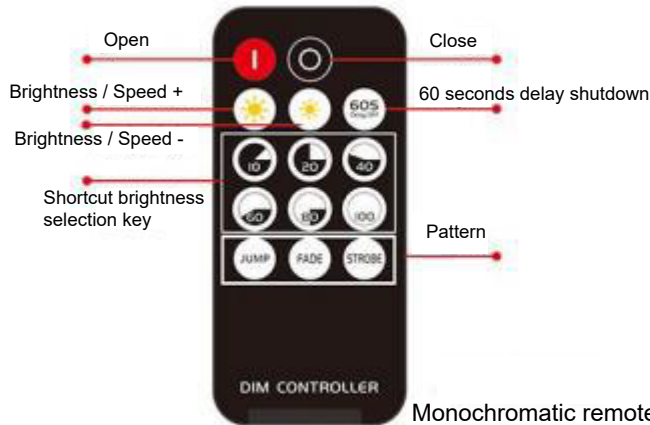
Note: If the controller output line order you are using is different from the reference line order above, please select the line order according to the actual corresponding LED lamp bar to ensure that the arrow of the controller output connector matches the arrow of the LED lamp input connector.

VI. Function introduction of shake controller:

RGB 21 Key Remote control key description:

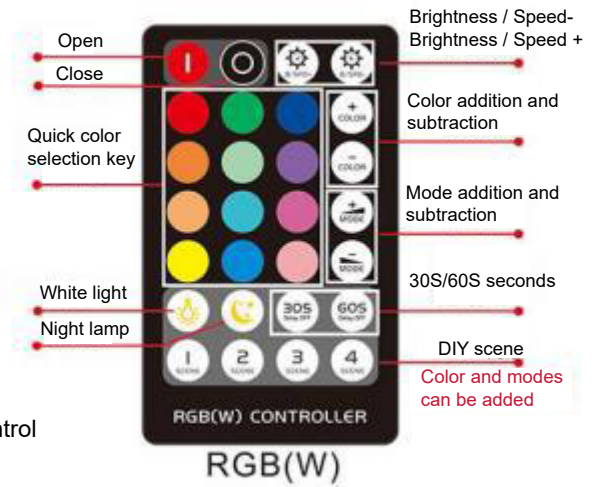


Auto mode : Automatically plays 19 dynamic modes in a loop.



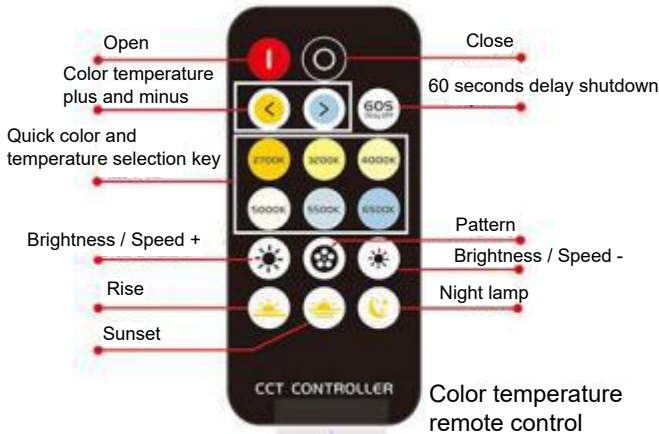
Monochromatic remote control

Remove the insulation plate before use



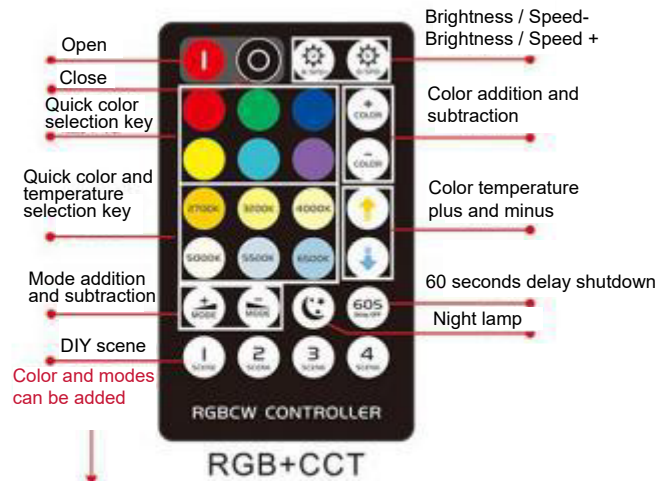
RGB(W)

Color and modes can be added



Color temperature remote control

Remove the insulation plate before use



RGB+CCT

Color and modes can be added

Please select the color or mode you need, and then long press any scene button, the light flashing indicates that the scene has been saved

VII. List of controller static and dynamic modes:

(2) Color temperature controller CCT

Pattern	dynamic models
1	Warm color gradient
2	Neutral light gradient
3	Cold color gradient
4	Warm color jump change
5	Neutral photohopping
6	Cold color jump

(3) RGB, Controller

order number	dynamic models
1	3 Color jump
2	3 Color gradient
3	7 Color jump
4	7 Color gradient
5	Full color gradient



(4) RGBW Controller

Order number	Static color	Order number	Dynamic models
1	W + red (W single path)	1	3 Color jump
2	W+ green	2	3 Color gradient
3	W+ blue	3	7 Color jump
4	W+ yellow	4	7 Color gradient
5	W+ purple	5	Full color gradient
6	W+ ching		
7	White (mixed)		

(5) RGB+CCT Controller

Static colors (13 out of size):

Order number	Static mode	Order number	Dynamic models
1	Mix white light	8	Cold white + red
2	Warm white + red	9	Cold white + green
3	Warm white + green	10	Cold white + blue
4	Warm white + blue	11	Cold white + yellow
5	Warm white + yellow	12	Cold white + purple
6	Warm white + purple	13	Cold white + green
7	Warm white + green		

Dynamic mode list (33):

Order number	Dynamic models	Order number	Dynamic models	Order number	Dynamic models



深圳市像素之光科技有限公司
iPixel LED Light Co., Ltd

Add: 7F, Mingjinhai Complex Building, Tangtou Rd, Shiyantown, Baoan, Shenzhen, China. 518108
Tel: 0086-755-85257292 Web: www.ipixelleds.com E-mail: inquiry@ipixelleds.com

1	Red gradient	12	3 Color jump	23	Yellow gradient + jump
2	Green gradient	13	3 Color gradient	24	Purple gradient + jump
3	Blue gradient	14	7 Color jump	25	Cyan gradient + jump
4	Yellow gradient	15	7 Color gradient	26	White (3 road) gradient + jump
5	Purple gradient	16	3 Color flash	27	Warm white gradient
6	Cyan gradient	17	7 Color flash	28	Warm white + cold white gradient change
7	White gradient	18	7 color strobe + flash	29	Cold white gradient
8	Red flash	19	Full color gradient	30	Warm white flash
9	Green flash	20	Red gradient + jump	31	Warm white + cold white stroboscopic
10	Blue flash	21	Green gradient + jump	32	Cold white flash
11	White flash	22	Blue gradient + jump	33	All of the pattern cycles

Note: In the dynamic mode of RGB / RGBW / RGB + CCT 3 controller, the mode "7 color strobe + flash" cannot adjust the speed.

(6) List of RGB 21-key remote control modes:

order number	Static color	order number	Static color	order number	dynamic models	order number	dynamic models
1	red	11	lilac colour	1	Red gradient	11	Red flash
2	green	12	white	2	Green gradient	12	Green flash
3	blue			3	Blue gradient	13	Blue flash
4	amaranth			4	Yellow gradient	14	3 Color jump
5	reseda			5	Purple gradient	15	7 Color jump
6	wathet			6	Cyan gradient	16	3 Color flash
7	orange			7	White gradient	17	Full color gradient
8	purple			8	Red gradient + jump	18	3 Color gradient



9	ching			9	Green gradient + jump	19	7 Color gradient
10	yellow			10	Blue gradient + jump		

VIII. Notes:

(Indoor use only and suitable for lighting equipment)

1. The input voltage of the controller is DC 5-24V, requiring the power adapter, do not directly input in high voltage or other voltage. Please pay attention to safety when connecting.
2. Please connect the power supply, controller and lamps in the state of power failure, and then power on after the connection, please do not connect the positive and negative poles of the input and output.
3. Please do not overload the maximum output current of the device is 6A, otherwise it will cause damage or affect the service life; please remove the gear under the remote control before using the remote control.
4. Please do not use it in a high dust, high temperature environment. Turn off the power supply if not in use for a long time.
5. Non-professional engineers, please do not dismantle, remove and replace the parts by themselves to avoid equipment damage.
6. Please inform you of the required line order in advance before the purchase.



深圳市像素之光科技有限公司
iPixel LED Light Co. , Ltd

Add: 7F, Mingjinhai Complex Building, Tangtou Rd, ShiyanTown, Baoan, Shenzhen, China. 518108
Tel: 0086-755-85257292 Web: www.ipixelleds.com E-mail: inquiry@ipixelleds.com

Ix. Application place:

